

## Description

The Combo solution consists in one MPSS rotary union specifically designed to be used in conjunction with Deublin Slip-Rings. It is available with 1, 2, 4, 6 and 8 passages and 3 different connections port sizes: G 1/4", G 3/8" and G 1/2". The unions are designed with interface on the rotor back to mate with the Slip-Rings and have a large central bore for cable passage. Specific anti-rotation bracket is included to prevent relative movement between rotary components.

Model	Industry	Application
1 to 8 passages	Packaging	Packaging, Automation, Rotary Table

### Mechanical Features

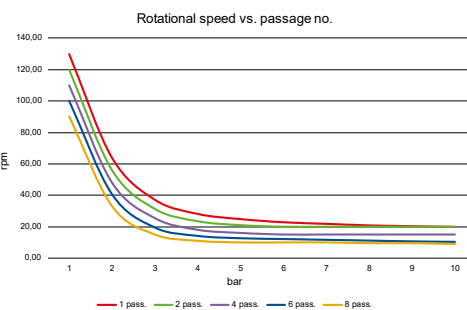
Passage no.	1 - 2 - 4 - 6 - 8
Passage dimension	Ø 6 - Ø 10 - Ø 12 mm
Housing thread connections	G 1/4" - G 3/8" - G 1/2"
Axial Rotor connections	Ø 6 - Ø 10 - Ø 12 mm with O-ring seal
Central bore for cable passage	Ø 30 mm
Housing Material	Aluminum with anodizing coating
Rotor Material	AISI420B
Deublin Soft Seal	Type DPG-G
Drainage	Plain holes
Drainage configuration	Between passages and bearing protection

### Combo Features

Slip-Ring suitable models	SRD - SRC - SRH - SRT families
Anti-Rotation bracket	Included
Radial rotor flange adaptor	Optional

### Media Features

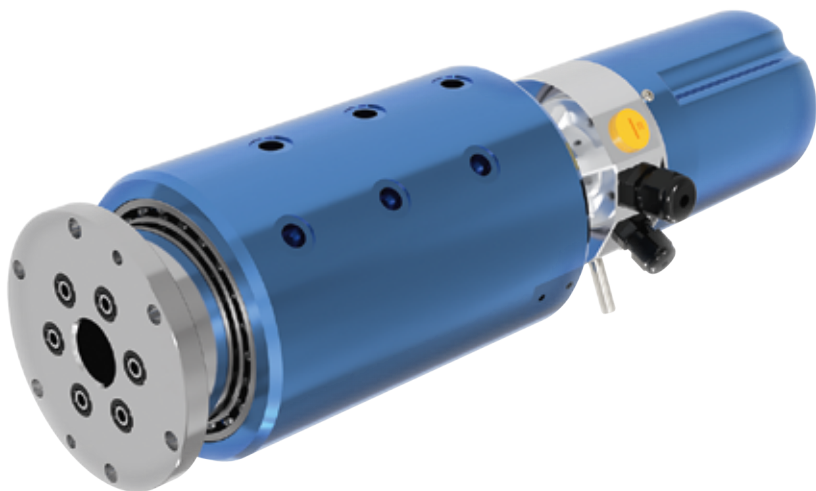
Applicable media	Inert non flammable compressed gasses (Dry or Lub. Air - Inert Gasses) - Vacuum
Max. operating pressure	10 bar
Max. line pressure	12 bar
Max. Vacuum level	0,2 bar A
Max. operating media temp.	50 °C
Max. environment temp.	70 °C
Max rotational speed	see speed chart



This chart is representing standard operating conditions. Deviations might be possible under custom designs.

### Product Codes

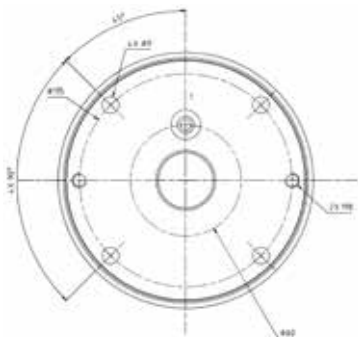
Port size	Pass. #	Code
G 1/4"	1	CMB-S010801
G 1/4"	2	CMB-S020801
G 1/4"	4	CMB-S040801
G 1/4"	6	CMB-S060801
G 1/4"	8	CMB-S080801
G 3/8"	1	CMB-S011001
G 3/8"	2	CMB-S021001
G 3/8"	4	CMB-S041001
G 3/8"	6	CMB-S061001
G 3/8"	8	CMB-S081001
G 1/2"	1	CMB-S011201
G 1/2"	2	CMB-S021201
G 1/2"	4	CMB-S041201
G 1/2"	6	CMB-S061201
G 1/2"	8	CMB-S081201



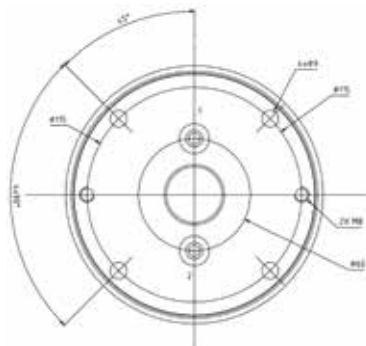
**This series includes additional models.**  
**For more information contact your nearest Deublin Division/Distributor or [www.deublin.com](http://www.deublin.com)**

*"Deublin" and the Deublin logo are trademarks of Deublin Company and are registered in the United States and other countries.*

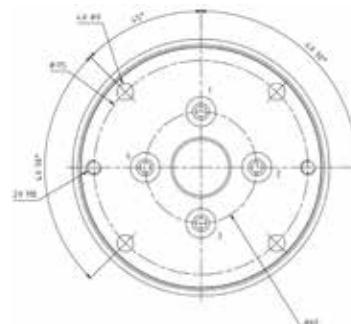
1 passage



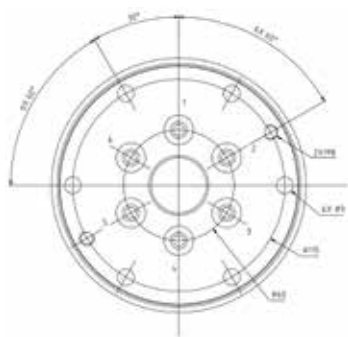
2 passages



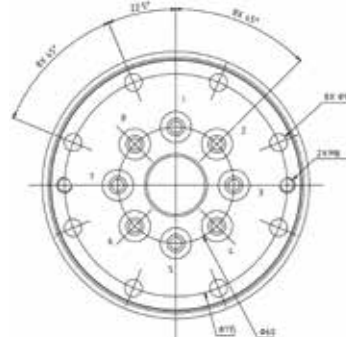
4 passages



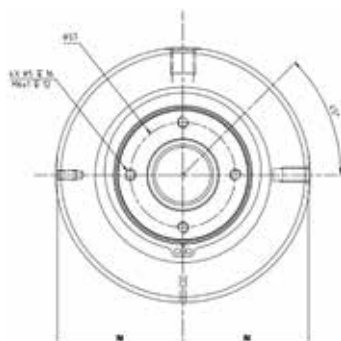
6 passages



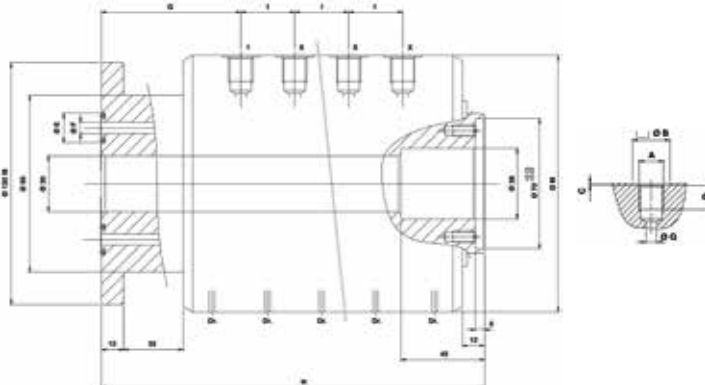
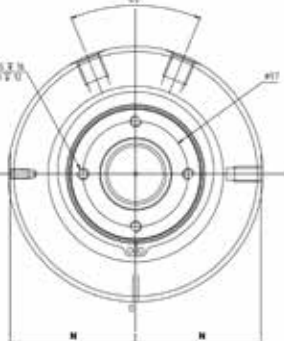
8 passages



1 - 2 & 4 passages  
ports location



6 & 8 passages  
ports location



Passage no.	DN	A	B	C	D	E	F	G	H	I	L	M	N
1	6	G 1/4"	20	1	13	16	6	75	117	-	-	138	68
	10	G 3/8"	23	1.5	13	19	10	77	121	-	-	140	68.5
	12	G 1/2"	28	1.5	15	21	12	78	123	-	-	143	70
2	6	G 1/4"	20	1	13	16	6	75	146	29	60	138	68
	10	G 3/8"	23	1.5	13	19	10	77	154	33	70	140	68.5
	12	G 1/2"	28	1.5	15	21	12	78	158	35	70	143	70
4	6	G 1/4"	20	1	13	16	6	75	204	29	60	138	68
	10	G 3/8"	23	1.5	13	19	10	77	220	33	70	140	68.5
	12	G 1/2"	28	1.5	15	21	12	78	228	35	70	143	70
6	6	G 1/4"	20	1	13	16	6	75	262	29	60	138	68
	10	G 3/8"	23	1.5	13	19	10	77	286	33	70	140	68.5
	12	G 1/2"	28	1.5	15	21	12	78	298	35	70	143	70
8	6	G 1/4"	20	1	13	16	6	75	320	29	60	138	68
	10	G 3/8"	23	1.5	13	19	10	77	352	33	70	140	68.5
	12	G 1/2"	28	1.5	15	21	12	78	368	35	70	143	70

**This series includes additional models.**  
**For more information contact your nearest Deublin Division/Distributor or [www.deublin.com](http://www.deublin.com)**  
*"Deublin" and the Deublin logo are trademarks of Deublin Company and are registered in the United States and other countries.*