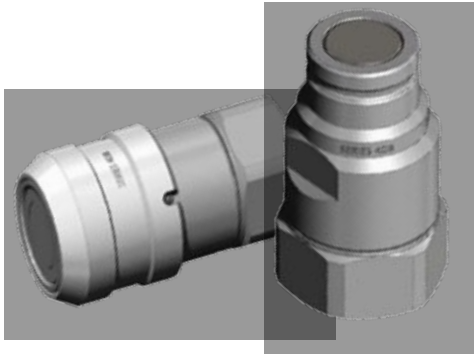


EC Series: Enhanced Design for Medical Imaging Market



Eaton's EC Series quick connect couplings provide superior flow performance with ease and reliability.

The enhanced design makes it fast and easy to connect and disconnect cooling lines. The leak-free seals and easy to use design creates secure connections that can significantly reduce the possibility of image error.

Features

- Flow: The EC Series Coupling provides the lowest pressure drop among comparable competitive flat face products.
- Durability: Designed and tested to withstand high g-force environments.
- Dependability: The new design of the EC Series reduces leak points, improves product reliability, minimizes spillage and air inclusion.
- Connection: 30% reduction in force to connect compared to previous design allowing for easier handling and connections.

Benefits

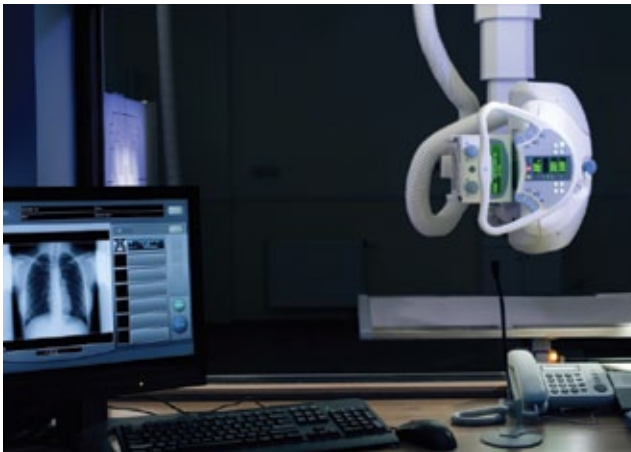
- Improved protection of electrical system with minimal spillage.
- User friendly to service technicians.
- Low pressure drop, which reduces pump load.
- Cycle tested for long term reliability and durability.

Materials

- 316 Stainless Steel
- Brass
- Steel

Seals

- Buna
- Viton
- EPDM



Powering Business Worldwide

EC Series

Electronic Cooling Coupling Series

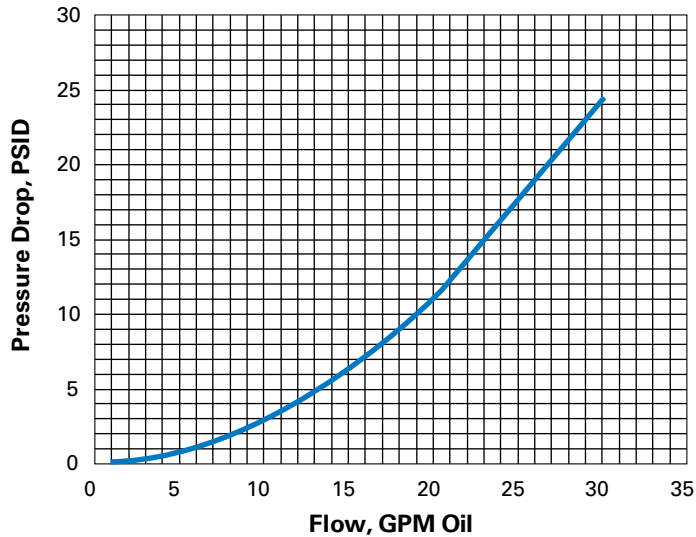
Test Data	psi	bar
Pressure Rating	350 psi	24 bar
Pressure Drop, 5 GPM Oil	0.67 psi	.046 bar
Pressure Drop, 10 GPM Oil	2.70 psi	.186 bar

EC Series	Length	Weight
Plug	Length	Weight
ML4ECP75F192: 316 SS	2.5 in.	0.56 lbs
B4ECP75F: Brass	63.5 mm	254 grams
Socket	Length	Weight
ML4ECS75F192: 316 SS	2.7 in.	0.85 lbs
B4ECS75F: Brass	68.6 mm	385 grams
Connected	Length	Weight
	4.6 in.	1.41 lbs
	117 mm	640 grams

Steel, 90° Connection and Panel Mount Options Available



4EC Series: Pressure Drop Vs. Oil Flow



Powering Business Worldwide

信德迈科技(北京)有限公司

北京市朝阳区望京街10号望京SOHO塔1C座2115室 邮编：100102

电话：010-8428 2935, 8428 9077, 8428 3983

手机：139 1096 2635

Http：[//www.cnmec.biz](http://www.cnmec.biz)

E-mail：sales@cnmec.biz

传真：010-8428 8762