

PowerView® PV380 Engine & Diagnostic Display

The PowerView 300 Series features robust, multifunction displays for advanced monitoring of multiple electronic engines. The PV380 display in this series monitors multiple engine and machine parameters on an easy-to-read 3.8-inch (97 mm) QVGA monochrome LCD. The display is capable of handling sophisticated engine diagnostics as well as basic engine alarm/shutdown.

Customize the PV380 display utilizing the PowerVision Configuration Studio® software, an intuitive tool designed to make customization simple. Using the software tool, users can tailor basic graphics, designate screen layout and define custom parameters.

The PV380 is equipped with five tactile push buttons to quickly access a convenient menu. In addition, a backlit and heated graphic display with LEDs indicate alarm or shutdown status.



Specifications

Operating Voltage: 6-36 VDC

Vibration and Shock: 7.86 random vibs (5-2000Hz) and $\pm 50g$ shock in 3 axes

Reversed Polarity: Withstands reversed battery terminal polarity

Operating Temperature: -40° F to 185° F (-40° C to 85° C)

Storage Temperature: -40° F to 185° F (-40° C to 85° C)

Communications: (1) CAN 2.0B; J1939 Protocol; Proprietary Messaging; (1) RS-485 serial

EMC/EMI:

- 2004/108/EC and 2006/95/EC directives
- EN61000-6-4:2001 (emission)
- EN61000-6-2:2001 (immunity)
- EN-50121-3-2 and EN 12895

Connectors: Deutsch DT Series 6 and 12 pin

Inputs: (4) resistive analog; (3) analog; 0-5 V analog or digital; (1) frequency 2-10000 Hz, 3.6-120 VAC

Outputs: (2) 500 mA; switched low-side

SAE J1113/2, 4, 11, 12, 21, 24, 26 and 41

Display: 3.8" (97 mm) QVGA (320 x 240 pixels); monochrome transfective LCD with white LED backlight and heater

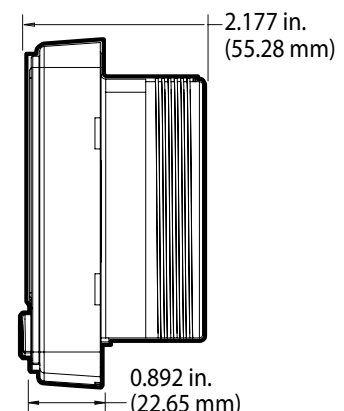
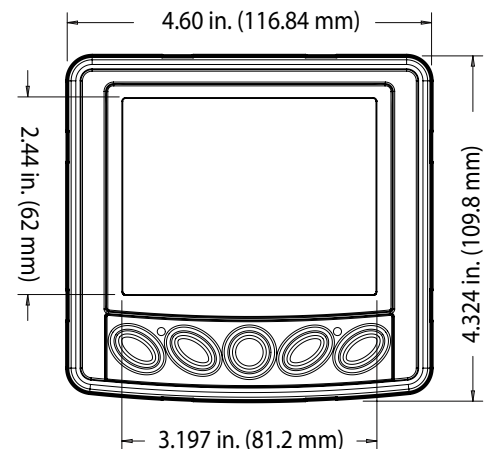
Viewing Angle: ± 50 horizontally; $+45^\circ/-60^\circ$ vertically

Keys: 5 tactile push buttons

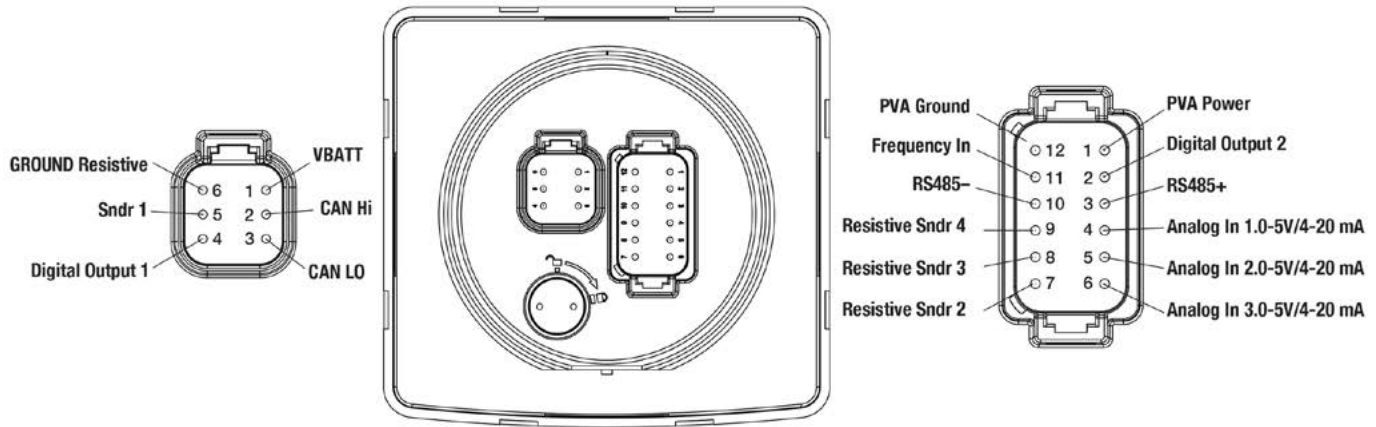
Alarms: Red and amber warning LEDs; capable of set point-triggered output for external piezo buzzer or shutdown relay

Real-time clock: With Li-ion rechargeable battery backup

Dimensions



Pinout



How To Order

Part Number	Description	Notes
78700609	PV380-R2, Murphy Standard	Display
78000752	PowerVision Configuration Studio® CD and license	Software
78051077	Seal, PV380-350 gasket	Service
78001104	Connector Kit, PV380, 12 and 6 position connector	Accessories
78001060	12 position, one foot whip harness	
78090100	Programming Kit, PV380-350 with dongle	

Murphy Instrument Distributor 2005年开始在中国经销Murphy摩菲仪表

信德迈科技（北京）有限公司 CNMEC Technology
 地址：北京市朝阳区望京街10号望京SOHO - T1- C座2115室
 邮编：100102
 电话：010 - 8428 2935, 8428 9077, 8428 3983
 手机：13910962635 qq # 209136943
 邮件：sales@cnmec.biz
 网站：Http://www.cnmec.com