

NSS Series

Non-Spill Stainless Quick Couplings



Connect with Confidence

When your application involves a critical process environment where fluid loss or air inclusion can cause significant quality or safety issues, Parker's NSS Series non-spill couplings provide a secure connection. Constructed of corrosion resistant materials, NSS quick couplings are designed to perform. They deliver high flow rates with excellent flow vs pressure drop characteristics to maintain optimum system integrity.



Contact Information:

Parker Hannifin Corporation
Quick Coupling Division
8145 Lewis Road
Minneapolis, MN 55427
Phone: 763-544-7781
Fax: 763-544-3418
www.parker.com/quickcouplings

NSS Coupling Features:

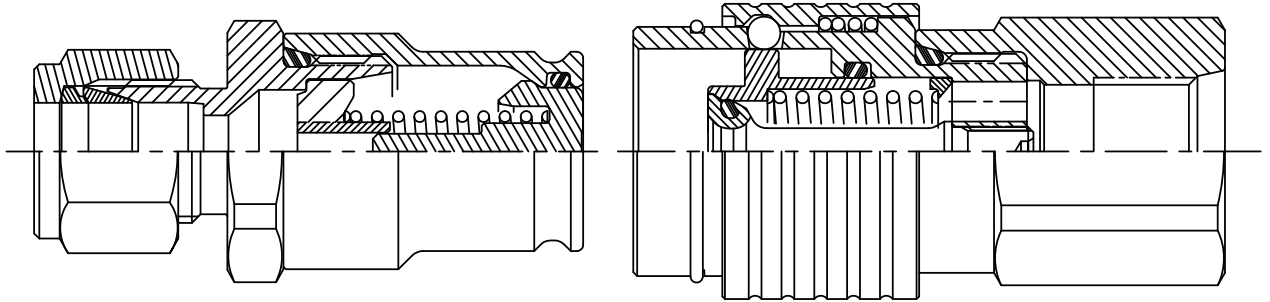
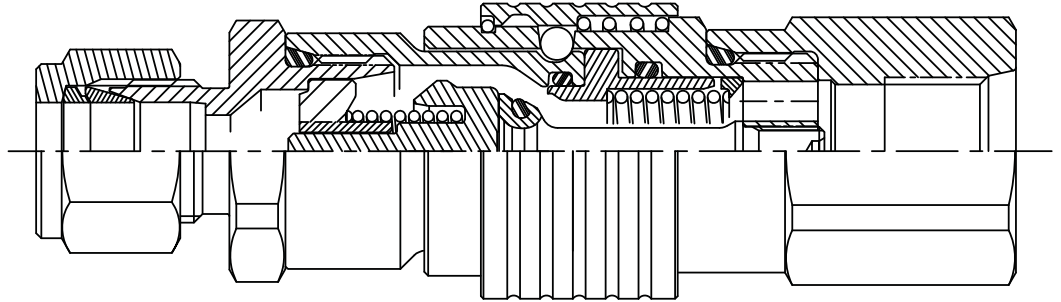
- Non-spill valving, low spillage and minimal air inclusion.
- Ease-of use. Push to connect, retract coupler sleeve to disconnect.
- Proven ball locking design. 10 locking balls distribute the workload and allow for some rotation. Caution: The quick disconnect coupling is not to be used as a swivel fitting!
- Variety of end configurations.
- Crimped valve seal in the coupler half to resist seal wash out.
- Excellent flow vs pressure drop characteristics (see graph inside).
- Stainless steel type 316 construction to resist harsh environments and corrosive fluids.
- Compact design for restrictive spaces.
- Wide range of seal materials to suit many applications, fluids and temperatures.



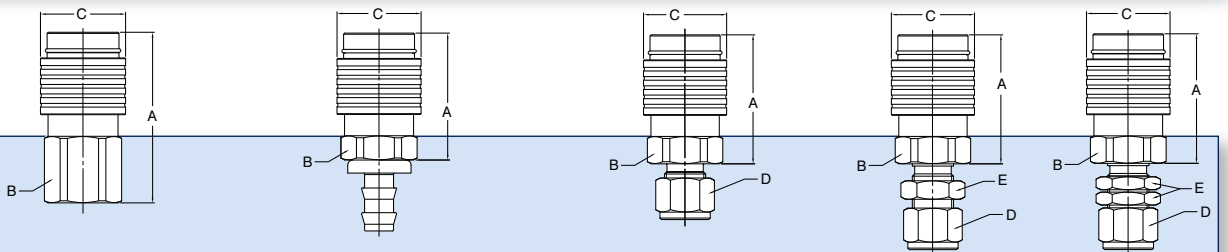
ENGINEERING YOUR SUCCESS

Engineered to Meet the Stringent Requirements of Today's High Tech Industries

- Compact design
- Smooth flow path
- Non-spill valving
- Crimped valve seal in coupler half
- Stainless steel materials



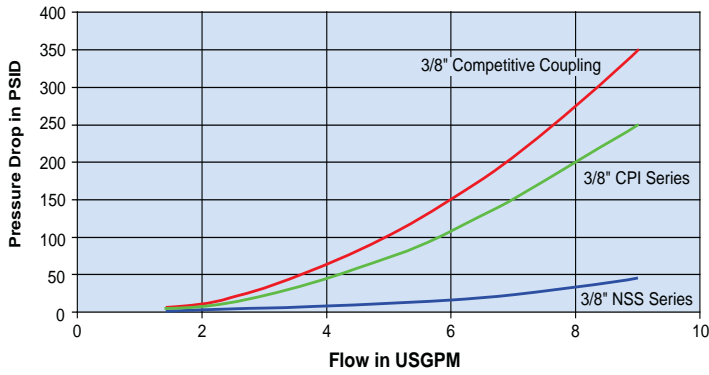
Body Size	Port End	Coupler Part Numbers					
3/8	9/16 - 18 ORB Thread	NSS-371-6FO NSS-371-8FO	NSS-371-6HB NSS-371-8HB	NSS-371-6MA NSS-371-8MA	NSS-371-6BMA	NSS-371-6HMA	
3/8	3/4 - 16 ORB Thread						
3/8	3/8 Hose ID						
3/8	1/2 Hose ID						
3/8	3/8 A-Lok						
3/8	1/2 A-Lok						



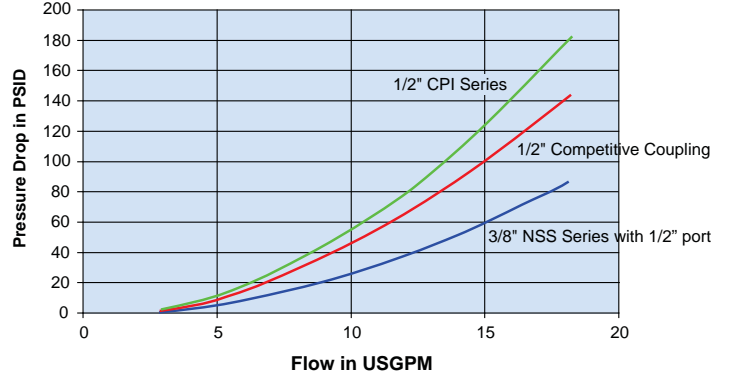
	Coupler NSS-371-6FO	Coupler NSS-371-8FO	Coupler NSS-371-6HB	Coupler NSS-371-8HB	Coupler NSS-371-6MA	Coupler NSS-371-8MA	Coupler NSS-371-6BMA	Coupler NSS-371-6HMA
Dimension A	2.25	2.38	1.70	1.62	1.75	1.67	1.75	1.75
Dimension B	0.94	0.94	0.94	0.94	0.94	0.94	0.94	0.94
Dimension C	1.13	1.13	1.13	1.13	1.13	1.13	1.13	1.13
Dimension D					0.69	0.88	0.69	0.69
Dimension E							0.75	0.75
Weight	0.35	0.35	0.30	0.30	0.35	0.37	0.40	0.40

Dimensions are in inches; weights are in pounds.

**3/8" NSS vs 3/8" Instrumentation Coupler
Pressure Drop vs Flow**



**3/8" NSS vs 1/2" Instrumentation Coupler
Pressure Drop vs Flow**



Specifications:

Body Size 3/8"
 Rated Pressure (PSI) 300 PSI**
 Rated Flow (GMP) 10 GPM
 Temperature Range -70°F to 250°F
 (with standard EPDM seals)
 Spillage (max. per disconnect)02 ML
 Air Incl. (max. per disconnect)01 ML

** Operating pressure may be higher for couplings with threaded connections (SAE Straight Thread, etc.). Contact the Division with the specifics of your application to determine the maximum operating pressure.

Materials of Construction:

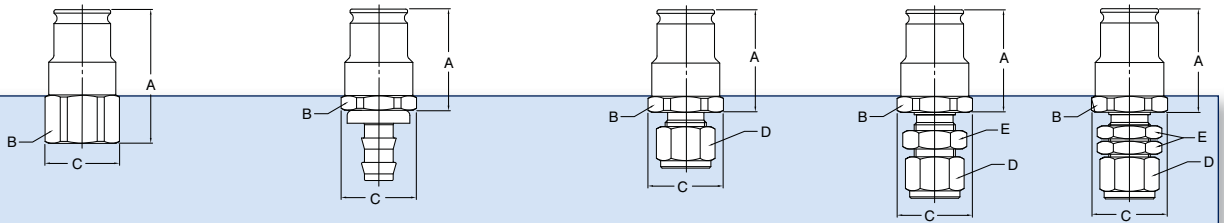
Machined Parts:
 Stainless Steel, AISI type 316
 Springs:
 Stainless Steel, AISI type 17-7
 Locking Balls:
 Stainless Steel, AISI type 302
 Standard Seal Material:
 EPDM (Ethylene - Propylene)

Optional Seal Material Designators:

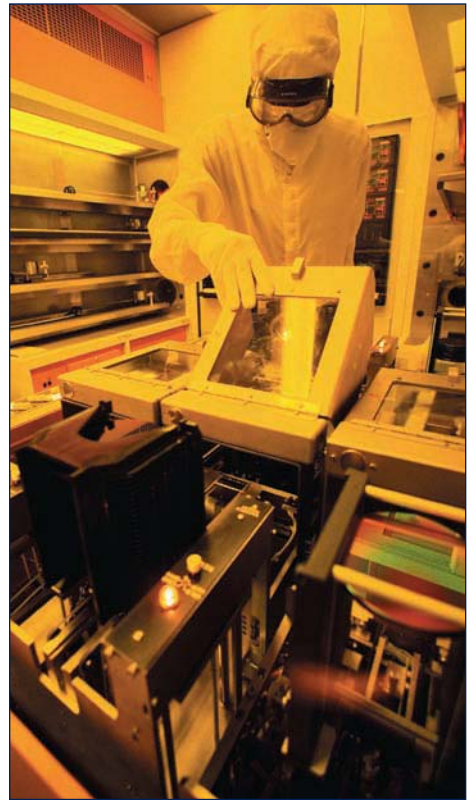
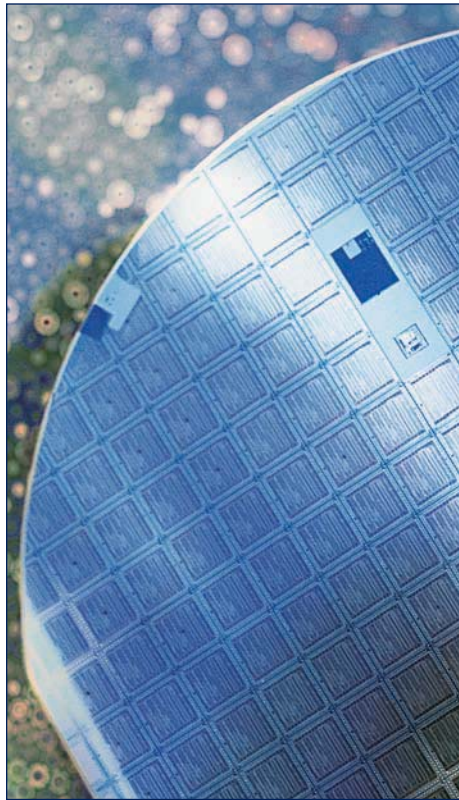
N = NBR (Nitrile)
 F = FKM (Fluorocarbon)
 C = CR (Neoprene)
 G = FKM (GFTL Fluorocarbon)
 P = FFKM (Parker Parofluor®)
 K = FFKM (DuPont Kalrez®)
 L = FVQM (Fluorosilicone)



Body Size	Port End	Nipple Part Numbers				
3/8	9/16 - 18 ORB Thread	NSS-372-6FO NSS-372-8FO	NSS-372-6HB NSS-372-8HB	NSS-372-6MA NSS-372-8MA	NSS-372-6BMA	NSS-372-6HMA
3/8	3/4 - 16 ORB Thread					
3/8	3/8 Hose ID					
3/8	1/2 Hose ID					
3/8	3/8 A-Lok					
3/8	1/2 A-Lok					



	Nipple NSS-372-6FO	Nipple NSS-372-8FO	Nipple NSS-372-6HB	Nipple NSS-372-8HB	Nipple NSS-372-6MA	Nipple NSS-372-8MA	Nipple NSS-372-6BMA	Nipple NSS-372-6HMA
Dimension A	1.84	1.99	1.37	1.37	1.39	1.39	1.39	1.39
Dimension B	0.94	0.94	0.94	0.94	0.94	0.94	0.94	0.94
Dimension C	1.02	1.02	1.02	1.02	1.02	1.02	1.02	1.02
Dimension D					0.69	0.88	0.69	0.69
Dimension E							0.75	0.75
Weight	0.20	0.20	0.15	0.15	0.20	0.22	0.25	0.25



Applications:

Use Parker NSS Series couplings for any application requiring high flow with near-zero fluid loss/air inclusion during disconnect/connect cycles. The NSS Series couplings are engineered to meet and exceed the requirements necessary for the semi-conductor and other high tech industries.

NSS Series – Non-Spill Stainless Steel Couplings for

- Cooling Lines
- Drain/Fill Lines
- Lab Equipment
- Chemical Dispensing
- Food and Beverage Service
- Deionized Water Lines
- Chemical Transfer Lines
- High Purity Systems
- Clean Room Applications
- Analyzers
- Pharmaceutical Production

