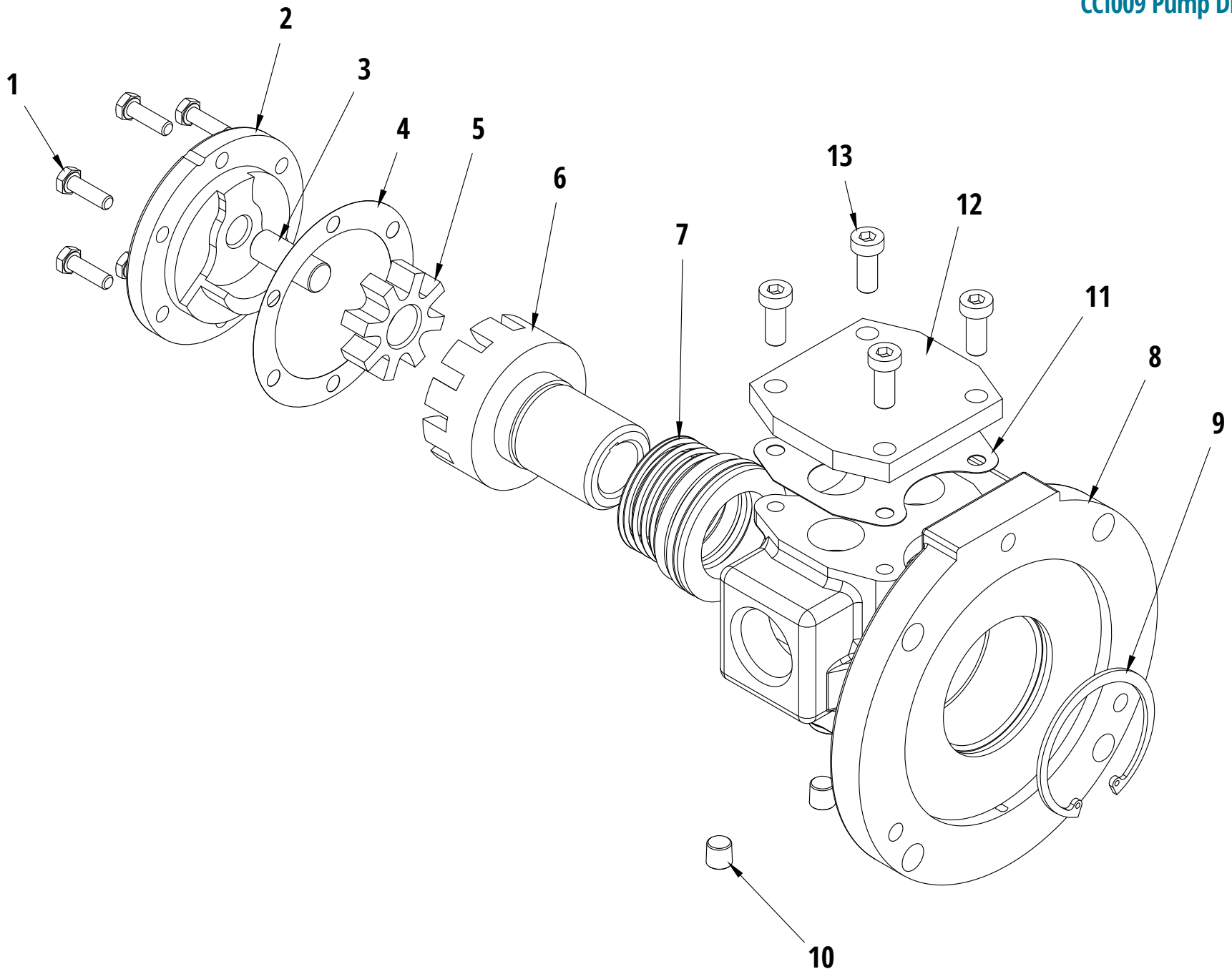


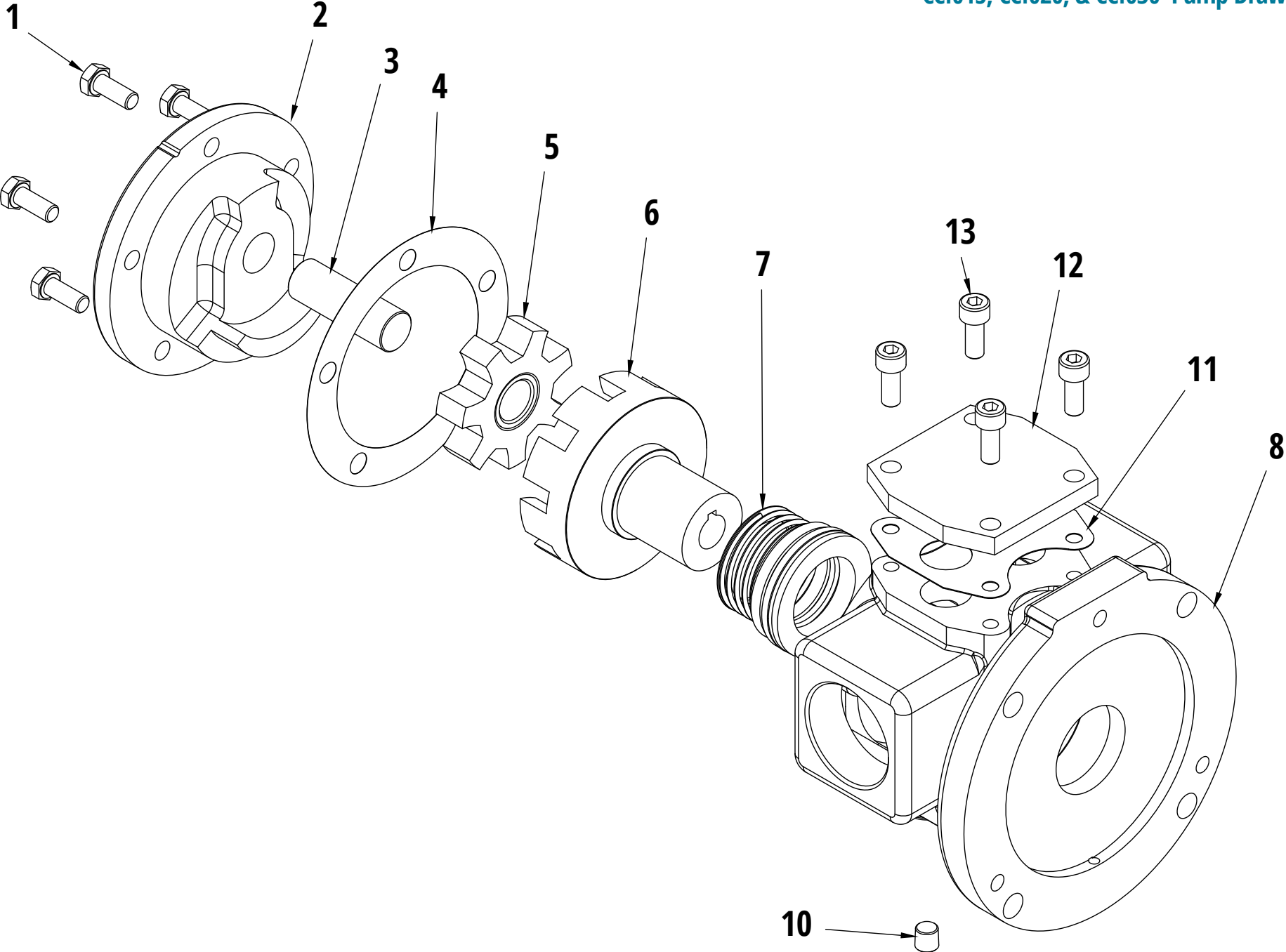
## Table of Contents

CCI009 Pump Drawing.....	2
CCI009 Pump Parts List.....	3
CCI015, CCI020, & CCI030 Pump Drawing.....	4
CCI015 Pump Parts List.....	5
CCI020 Pump Parts List.....	5
CCI030 Pump Parts List.....	5
CCI009, CCI015, CCI020, & CCI030 Relief Valve Option Drawing.....	6
CCI009, CCI015, CCI020, & CCI030 Relief Valve Option Parts List.....	7



## CCI009 Pump Parts List

Item	Part Number	Description
1	P133-24-H	bolt (6)
2	CC09I35	cover
3	0009I31	idler pin
4	CC09I669	gasket (3)
5	0009I5-CR	idler assembly
	0009S33-FR	bushing only
6	CC09I24-.63	rotor (56C)
	CC09I24-.88	rotor (143-145TC)
	CC09I24-19MM	metric rotor
	CC09I24-24MM	metric rotor
7	CC09I9-1A	standard Buna N seal
	CC09I9-1B	optional Viton seal
8	CC09I22	NPT housing
	CC09I22-MM	BSPT housing
9	P206-60	retaining ring
10	P400-2	pipe plug
11	CC09I656	gasket
12	CC09I30	blind cover
13	P133-34-H	bolt (4)

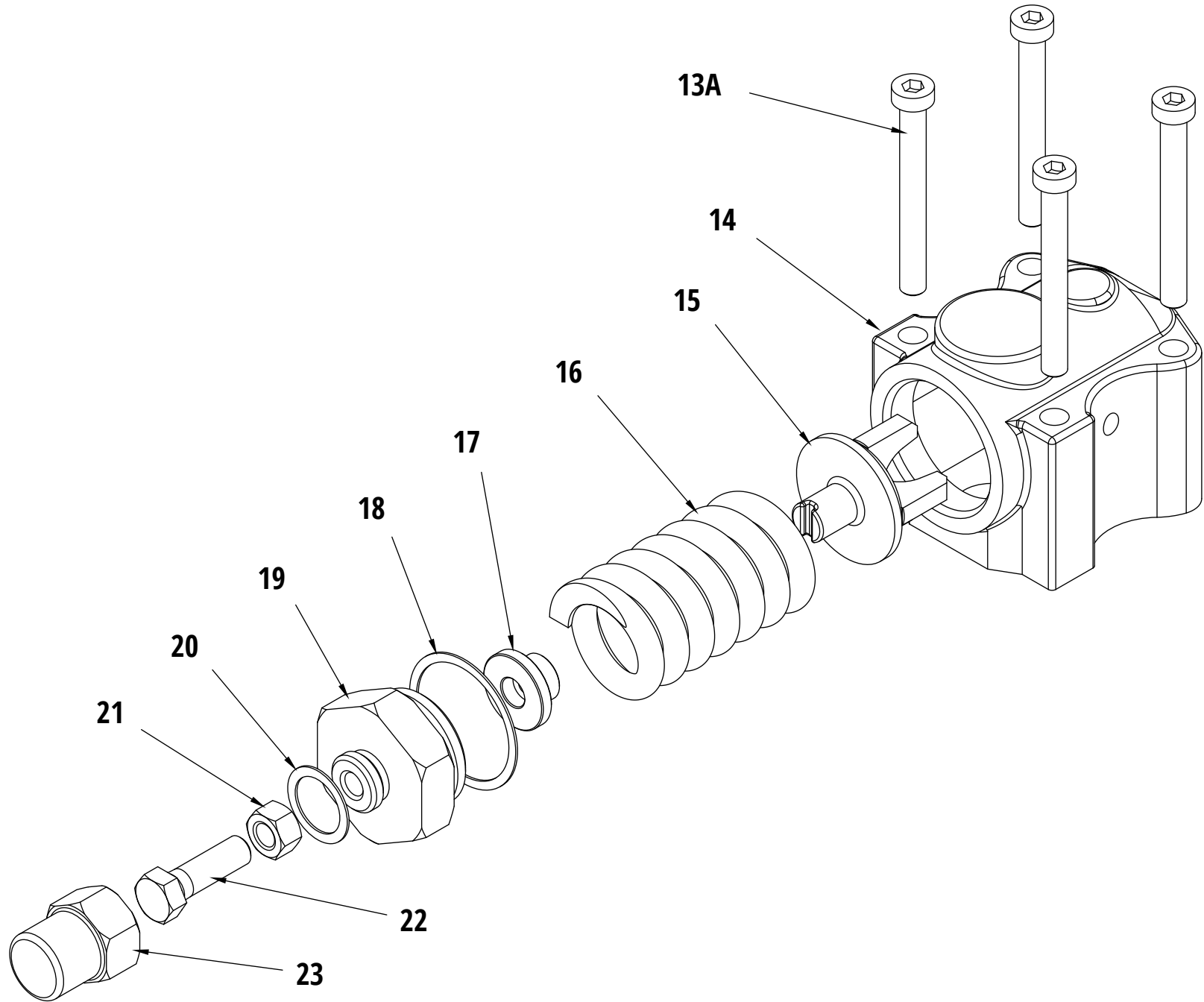


<b>CCI015 Pump Parts List</b>		
<b>Item</b>	<b>Part Number</b>	<b>Description</b>
1	P133-13-H	bolt (5)
2	0015I35	cover
3	0015I31	idler pin
4	CC15I669	gasket (3)
5	G015IU5-CR	idler assembly
	G015SU33	bushing only
6	CC15I24-.63	rotor (56C)
	CC15I24-.88	rotor (143-145TC)
	CC15I24-19MM	metric rotor
	CC15I24-24MM	metric rotor
	CC15I24-28MM	metric rotor
7	CC09I9-1A	standard Buna N seal
	CC09I9-1B	optional Viton seal
8	CC15I22	NPT housing
	CC15I22-MM	BSPT housing
	CC15I22-SAE16	SAE housing
10	P400-2	pipe plug
11	CC09I656	gasket
12	CC09I30	blind cover
13	P133-34-H	bolt (4)

<b>CCI020 Pump Parts List</b>		
<b>Item</b>	<b>Part Number</b>	<b>Description</b>
1	P133-13-H	bolt (5)
2	0015I35	cover
3	0015I31	idler pin
4	CC15I669	gasket (3)
5	G015IU5-CR	idler assembly
	G015SU33	bushing only
6	CC15I24-.63	rotor (56C)
	CC15I24-.88	rotor (143-145TC)
	CC15I24-19MM	metric rotor
	CC15I24-24MM	metric rotor
	CC15I24-28MM	metric rotor
7	CC09I9-1A	standard Buna N seal
	CC09I9-1B	optional Viton seal
8	CC15I22	NPT housing
	CC15I22-MM	BSPT housing
	CC15I22-SAE16	SAE housing
10	P400-2	pipe plug
11	CC09I656	gasket
12	CC09I30	blind cover
13	P133-34-H	bolt (4)

<b>CCI030 Pump Parts List</b>		
<b>Item</b>	<b>Part Number</b>	<b>Description</b>
1	P133-13-H	bolt (5)
2	0030I35	cover
3	0015I31	idler pin
4	CC15I669	gasket (3)
5	G030IU5-CR	idler assembly
	G030SU33	bushing only
6	CC30I24-.63	rotor (56C)
	CC30I24-.88	rotor (143-145TC)
	CC30I24-24MM	metric rotor
	CC30I24-28MM	metric rotor
7	CC09I9-1A	standard Buna N seal
	CC09I9-1B	optional Viton seal
8	CC15I22	NPT housing
	CC15I22-MM	BSPT housing
	CC15I22-SAE16	SAE housing
10	P400-2	pipe plug
11	CC09I656	gasket
12	CC09I30	blind cover
13	P133-34-H	bolt (4)

CCI009, CCI015, CCI020, & CCI030 Relief Valve Option Drawing



<b>CCI009, CCI015, CCI020, &amp; CCI030 Relief Valve Option Parts List</b>		
<b>Item</b>	<b>Part Number</b>	<b>Description</b>
13A	P133-33-H	bolt (4)
14	CC151651	body
15	0050158	poppet
16	0015162-R	standard spring (60-190)
	0015162-G	optional spring (0-90)
17	00151665	spring guide
18	CC151667	gasket
19	CC151666	bonnet
20	009164	gasket
21	P201-11	jam nut
22	00151527	adjusting screw
23	0009156	cap